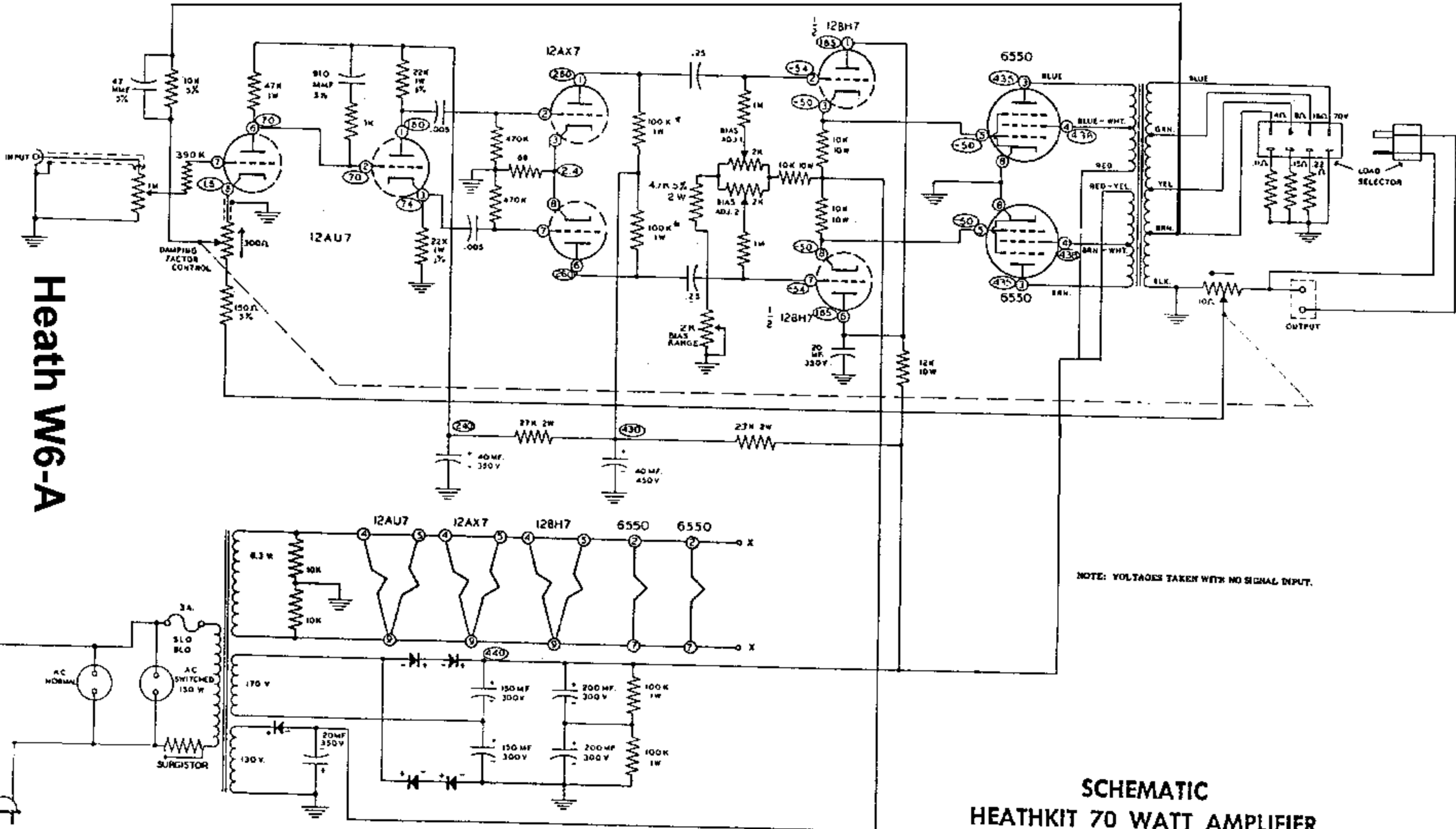


# Heath W6-A



NOTE: VOLTAGES TAKEN WITH NO SIGNAL INPUT.

**SCHEMATIC  
HEATHKIT 70 WATT AMPLIFIER  
MODEL W-6A**

117 V 30-60 W